



RHINO-RACK

Aerodynamic & Heavy Duty Roof Rack Systems

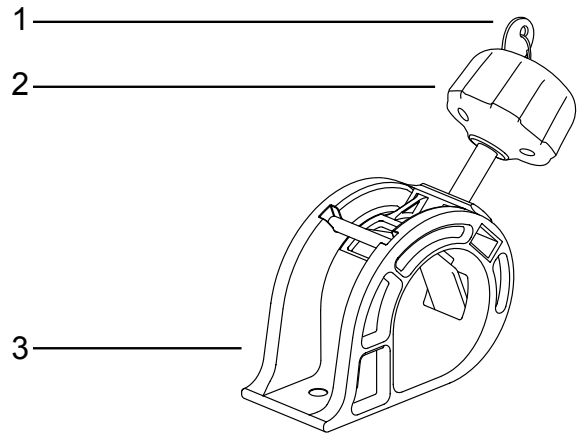
RSHL Rhino Shovel Holder Lock Heavy Duty/Sportz

Place these instructions in the vehicle's glove box after installation is complete.

Important: Please read these instructions carefully prior to installation.
Please refer to your fitting instruction to ensure that the roof racks are installed in the correct locations.
Check the contents of kit before commencing fitment and report any discrepancies

Parts List

Item	Component Name	Qty	Part No.
1	Keys	2	
2	M8 Locking Bolt	1	CA1052
3	Shovel Holder Body (Sold Separately)	1	RSHB
11	Fitting Instruction	1	R133



Care Instruction:

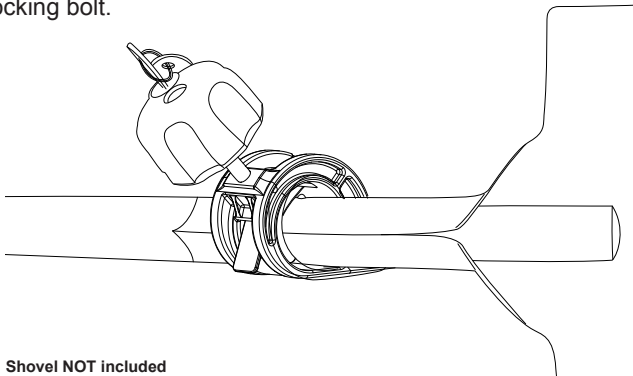
Clean roof racks prior to fitting the Rhino Shovel Holder.

NOTE:

The rubber buffer strip will need to be trimmed when placing the Shovel Holder on the Roof Bars.

Installing a Shovel

Slide the shovel through the shovel holders ensuring that the neck of the shovel is positioned as shown. This is the best position for security of the shovel. Do NOT to overtighten the locking bolt.



Shovel NOT included



Locks are only a deterrent. Please exercise care when protecting your items from theft.

Important Information

Rhino-Rack
3 Pike Street, Rydalmere,
NSW 2116, Australia.
(Ph) (02) 9638 4744
(Fax) (02) 9638 4822

Document No: R133
Prepared By: Scott Murray
Authorised By: Chris Murty

Issue No: 01
Issue Date: 14/09/2011

These instructions remain the property of Rhino-Rack Australia Pty. Ltd. and may not be used or changed for any other purpose than intended.