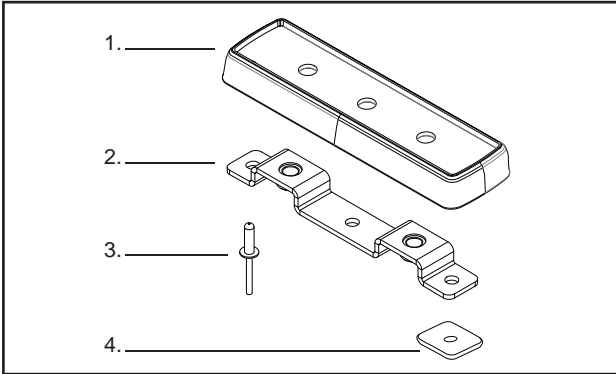




RHINO-RACK

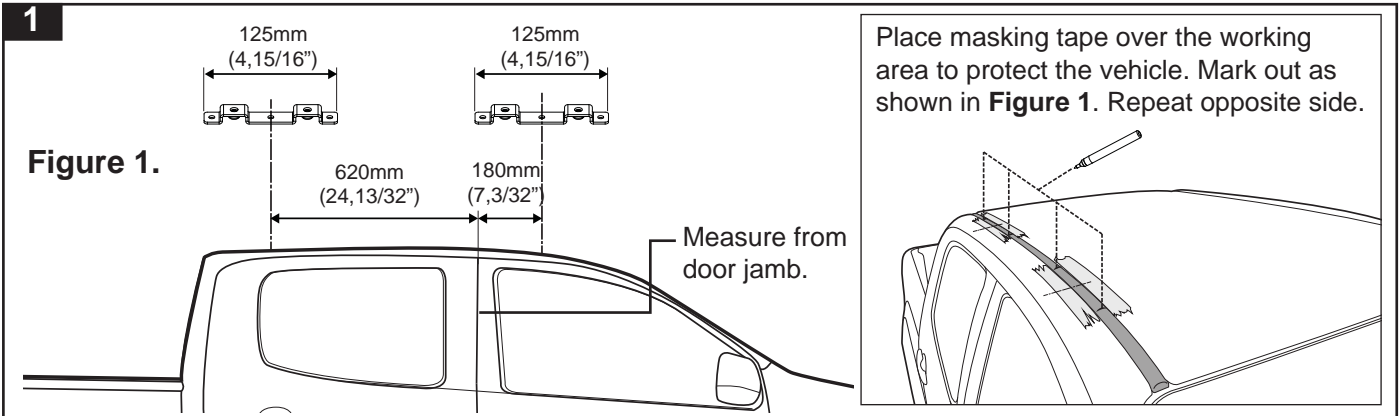
QMFK15 - DODGE RAM / RAM Crew Cab

Important: Please read these instructions carefully prior to installation.
 Check the contents of this kit before commencing fitment and report any discrepancies.
 Place these instructions in the vehicle's glove box after installation is complete.

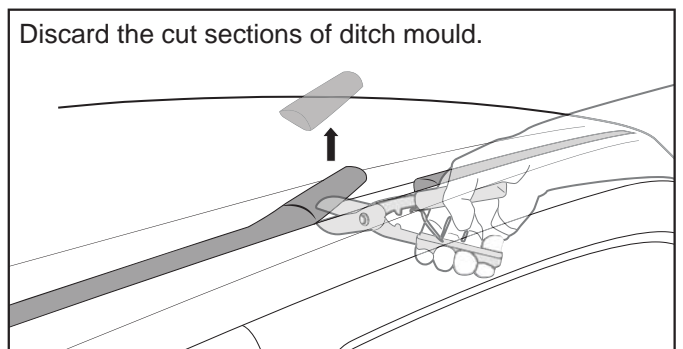
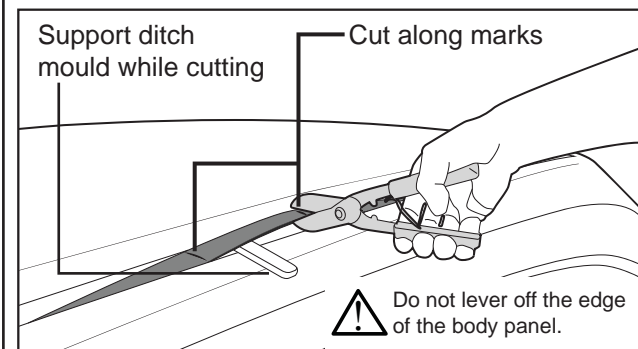


Item	QMFK15 Components	Qty	Part No.
1	RLT600 High Skirt	2	M829
2	Roof Ditch Bracket	2	CA1499
3	5mm Rivet	6	H008
4	Butyl Patch 20mm x 20mm	6	CA1266
5	Instruction	1	R1135

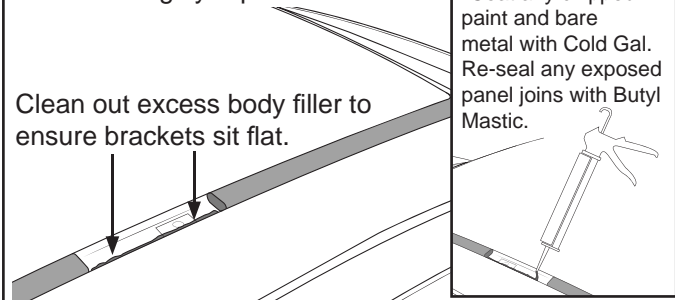
- Tools Required:**
- Drill
 - Power Drill
 - Pneumatic Rivet Gun
 - Nylon Scraper
 - 5mm drill bit
 - Marker Pen
 - Cutters
 - Drill stop
 - Masking tape
 - Butyl Mastic
 - Tape Measure
 - Cold Galvanising Paint
 - Cotton buds



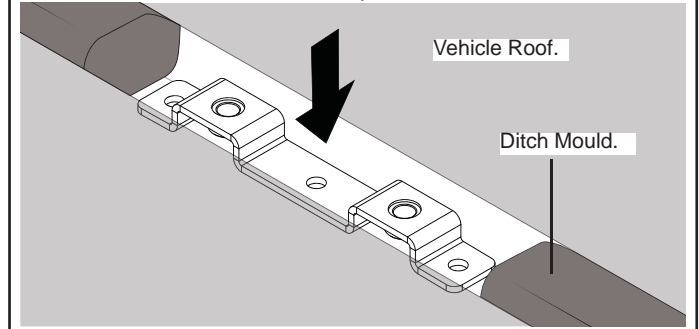
2 The ditch mould is attached via double sided tape, carefully lift the section to be cut. Use a none metal implement to support the roof ditch mould while cutting. **Note:** Care must be taken here to avoid damaging the paint work. Cut along the marks then remove 125mm (4,15/16") sections of ditch mould each side.



3 Remove excess filler in the uncovered ditch. Thoroughly wipe clean.



4 Place the Brackets into position.

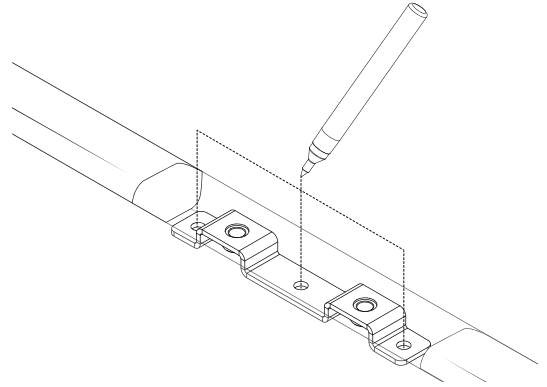
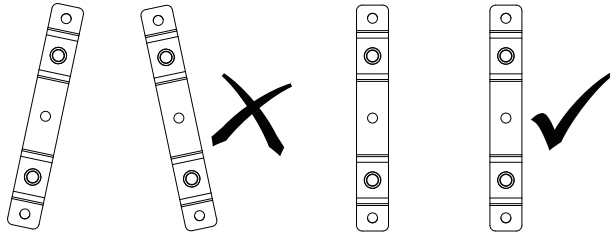




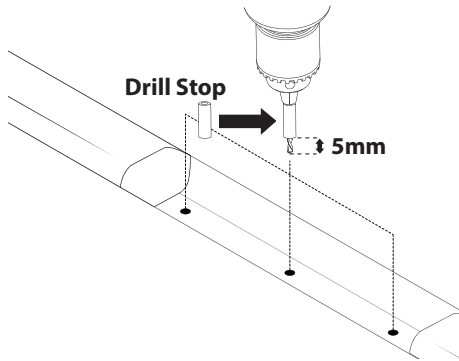
QMFK15 - RAM Crew Cab

5 Mark the positions of the mounting holes onto the roof ditch.

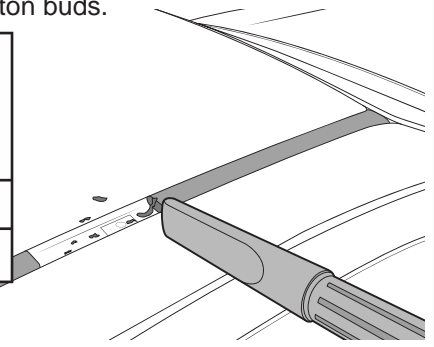
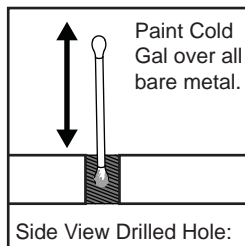
Make sure the brackets are parallel across the vehicle. This is required to correctly fit the legs and crossbars.



6 Drill out the markings with a 5mm drill bit and a drill stop set to 5mm.

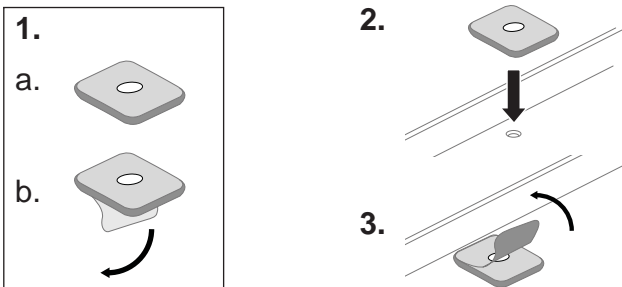


7 Vacuum all swarf from the roof, then wipe clean. Apply Cold galvanising paint in and around all holes using cotton buds.

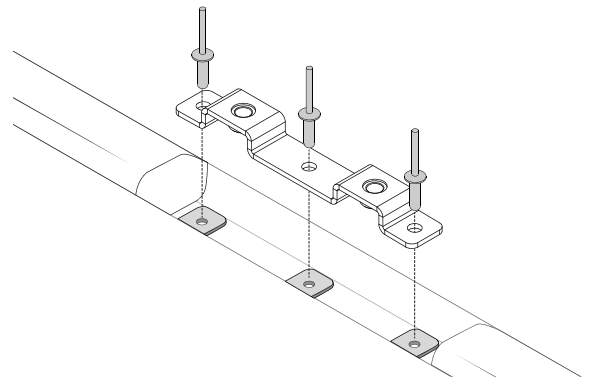


8 Apply Butyl Patches concentric over ALL drilled holes in the roof.

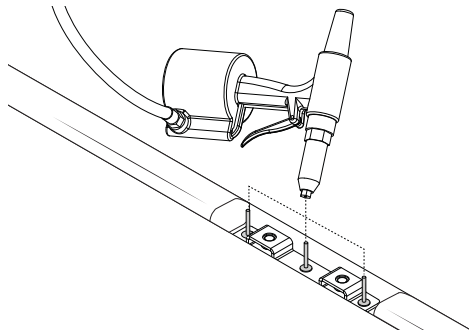
1. Remove backing tape from each Butyl Patch.
2. Place Patches concentric over all holes.
3. Remove paper backing from top of patches.



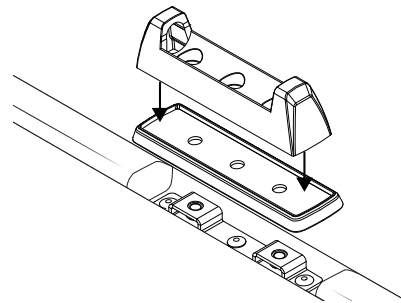
9 Use the rivets to locate the Bracket with the holes. Press down on the Bracket, ensuring a good seal is formed.



10 Use a pneumatic rivet gun to fix all brackets into place.



11 Attach a Rubber skirt to each RLT600 base prior to fastening the base onto the bracket.



Fit RLT600 and Crossbars as per instructions.

Rhino-Rack Australia Pty. Ltd.
3 Pike Street, Rydalmere, NSW 2116, Australia.
(Ph) +61 2 8846 1900

Fit Time: 1hr
www.rhinorack.com.au

Document No: R1135
Issue 1: 16/09/16

These instructions remain the property of Rhino-Rack Australia Pty. Ltd. and may not be used or changed for any other purpose than intended.